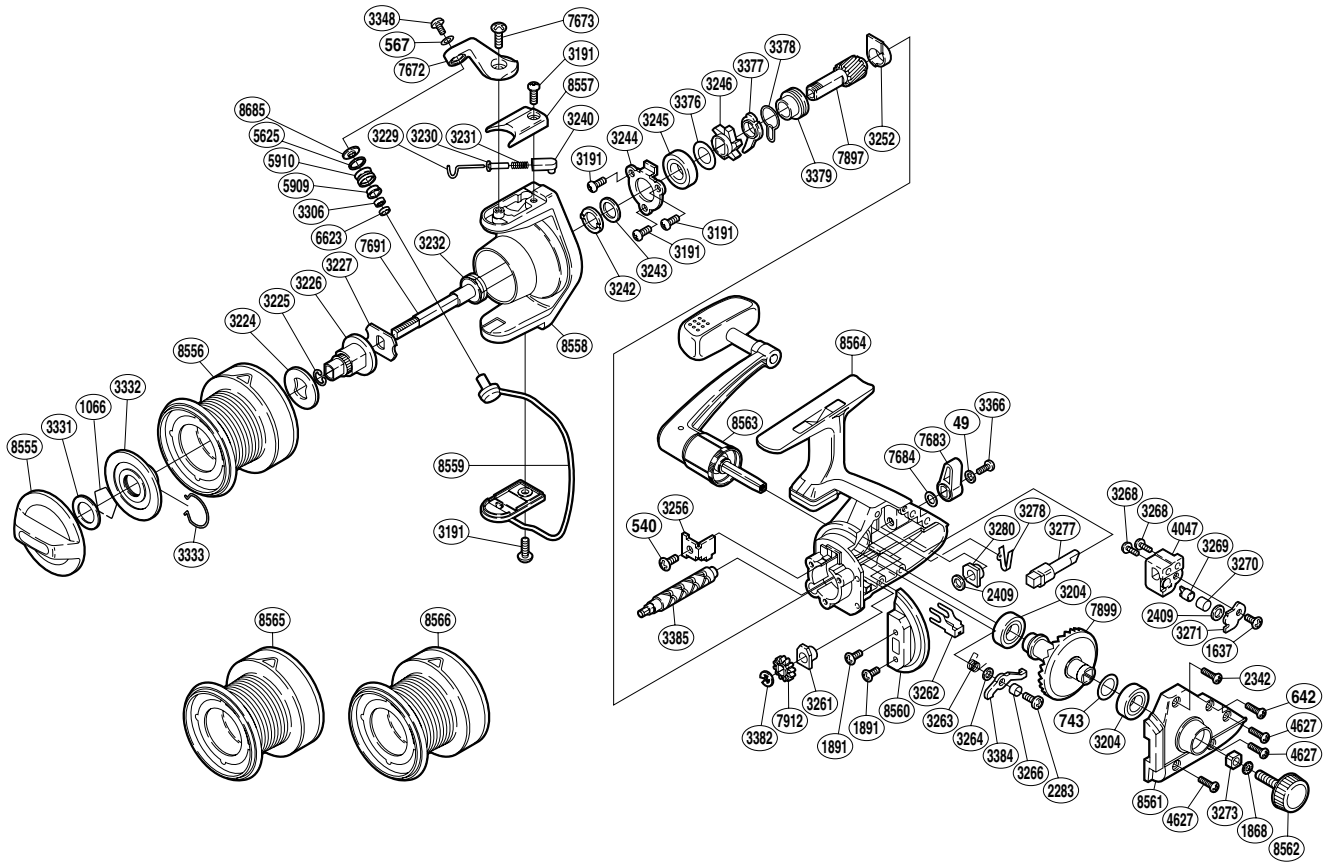


# SHIMANO®

## BIOMASTER GTX

## BIO-GTX8000



Part No.	Description	Part No.	Description	Part No.	Description
RD 0049	Lock Washer	RD 3256	Anti-Reverse Guard	RD 4627	Side Cover Screw (A)
RD 0540	Anti-Reverse Guard Screw	RD 3261	Worm Shaft Bushing (front)	RD 5625	Line Roller Spacer
RD 0567	Lock Washer	RD 3262	Worm Shaft Retainer	RD 5909	Line Roller Bushing
RD 0642	Side Cover Screw (B)	RD 3263	Anti-Reverse Pawl Spring	RD 5910	Line Roller
RD 0743	Drive Gear Washer	RD 3264	Anti-Reverse Pawl Spacer	RD 6623	Bearing Spacer
RD 1066	Washer Retainer	RD 3266	Anti-Reverse Pawl Support	RD 7672	Bail Arm
RD 1637	Oscillating Retainer Screw	RD 3268	Oscillating Slider Screw	RD 7673	Bail Arm Screw
RD 1868	Handle Lock Washer	RD 3269	Oscillating Pawl	RD 7683	Anti-Reverse Lever
RD 1891	Side Cover Flange Screw	RD 3270	Oscillating Slider Bushing	RD 7684	Spacer
RD 2283	Anti-Reverse Pawl Screw	RD 3271	Oscillating Pawl Cover	RD 7691	Main Shaft
RD 2409	Spacer	RD 3273	Handle Screw Lock	RD 7897	Pinion Gear
RD 3191	Multi-Purpose Screw	RD 3277	Anti-Reverse Cam	RD 7899	Drive Gear
RD 3204	Ball Bearing	RD 3278	Anti-Reverse Cam Spring	RD 7912	Idle Gear
RD 3224	Spool Washer	RD 3280	Worm Shaft Bushing (rear)	RD 8555	Drag Knob
RD 3225	Spool Support Retainer	RD 3306	Line Roller Bearing	RD 8556	Spool Assembly (TYPE 8000)
RD 3226	Spool Support (A)	RD 3331	Drag Knob Washer	RD 8557	Bail Spring Cover
RD 3227	Spool Support (B)	RD 3332	Spool Drag Disk	RD 8558	Rotor
RD 3229	Bail Spring Guide (A)	RD 3333	Drag Disk Retainer	RD 8559	Bail Assembly
RD 3230	Bail Spring Bushing	RD 3348	Line Roller Screw	RD 8560	Side Cover Flange
RD 3231	Bail Spring	RD 3366	Anti-Reverse Lever Screw	RD 8561	Side Cover
RD 3232	Rotor Nut	RD 3376	Spacer	RD 8562	Handle Screw Cap
RD 3240	Bail Spring Guide (B)	RD 3377	Anti-Reverse Lock Out	RD 8563	Handle Assembly
RD 3242	Rotor Washer	RD 3378	Anti-Reverse Lock Out Spring	RD 8564	Body
RD 3243	Rotor Spacer	RD 3379	Lock Out Spring Holder	RD 8685	Line Roller Washer
RD 3244	Bearing Retainer	RD 3382	"E" Lock		
RD 3245	Ball Bearing	RD 3384	Anti-Reverse Pawl		
RD 3246	Anti-Reverse Ratchet	RD 3385	Worm Shaft	RD 8565	Spool Assembly (TYPE 6000)
RD 3252	Pinion Gear Bushing	RD 4047	Oscillating Slider	RD 8566	Spool Assembly (TYPE 7000)